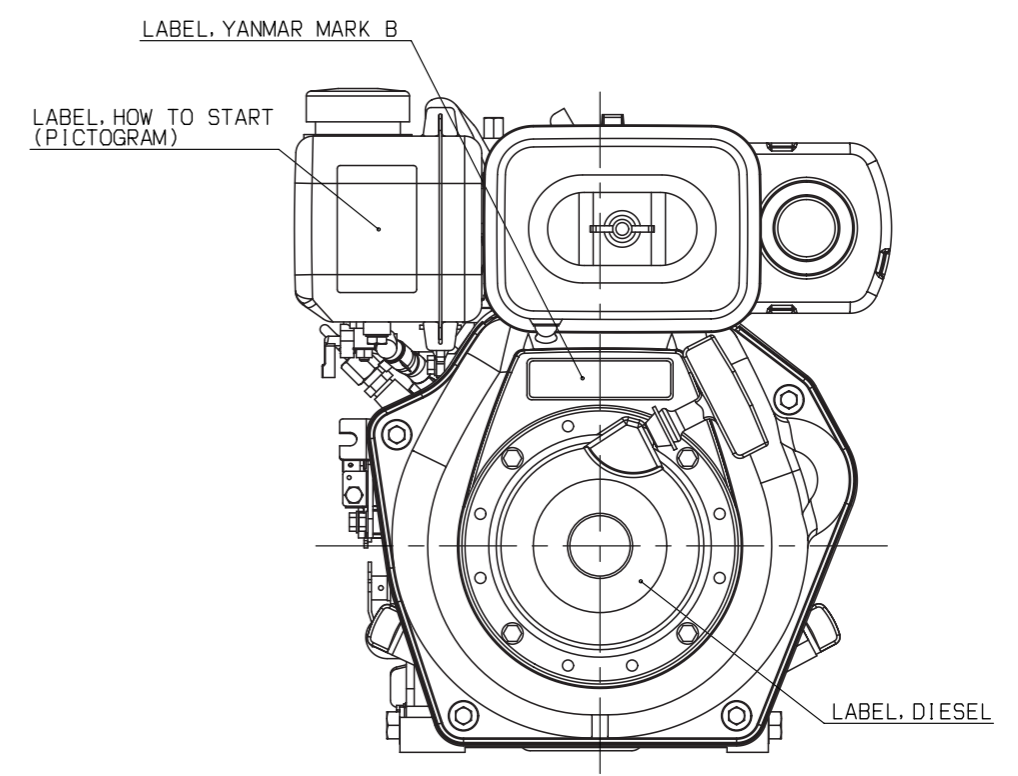
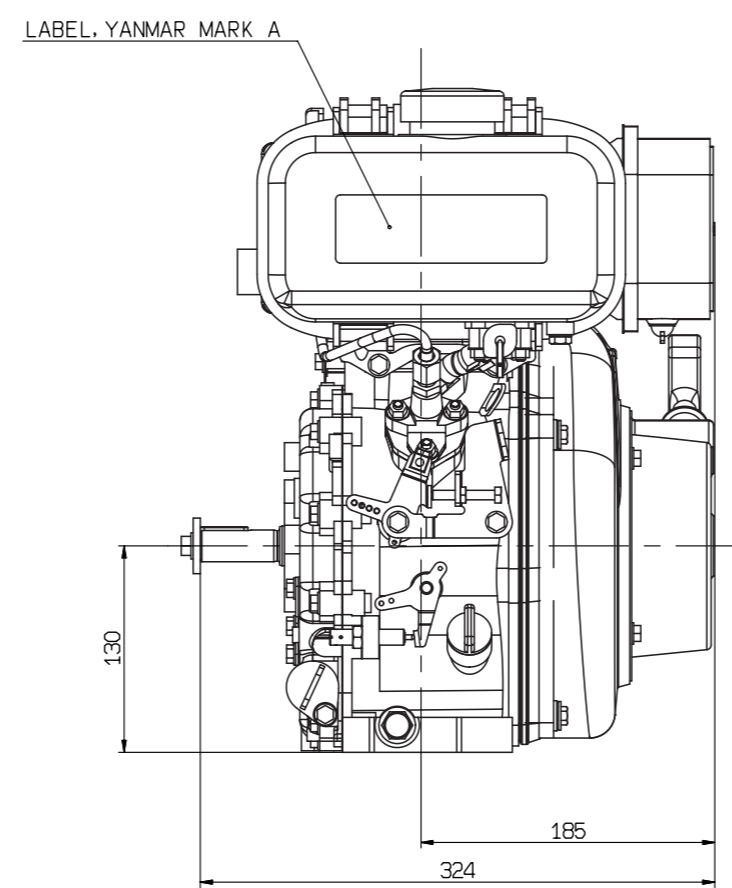
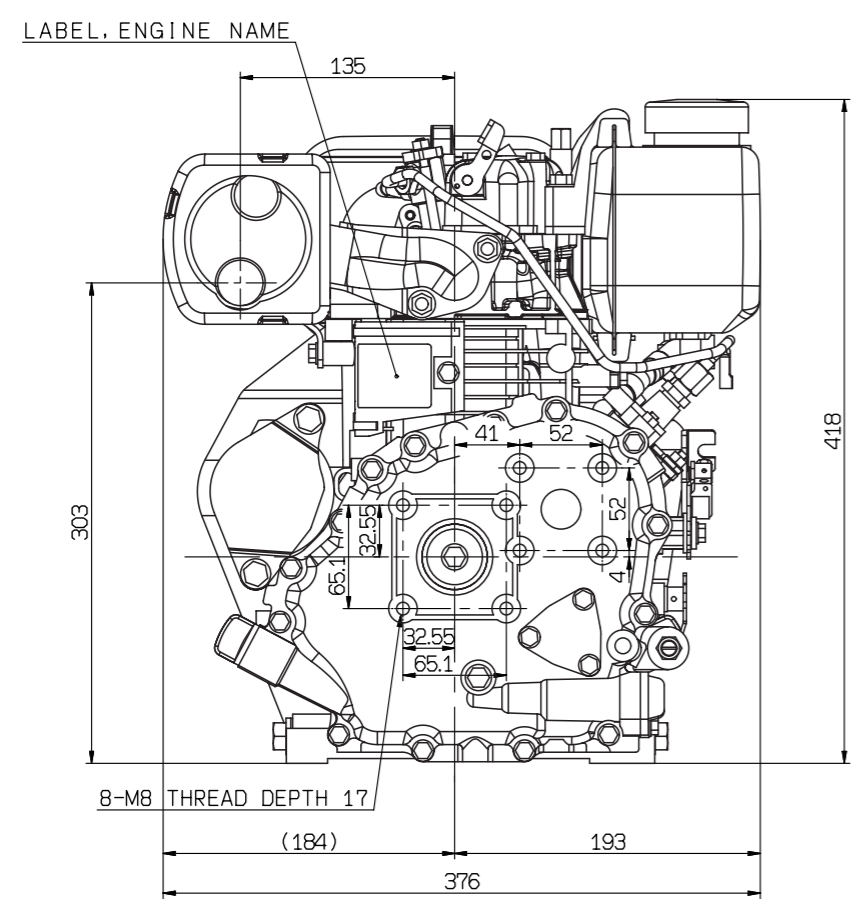
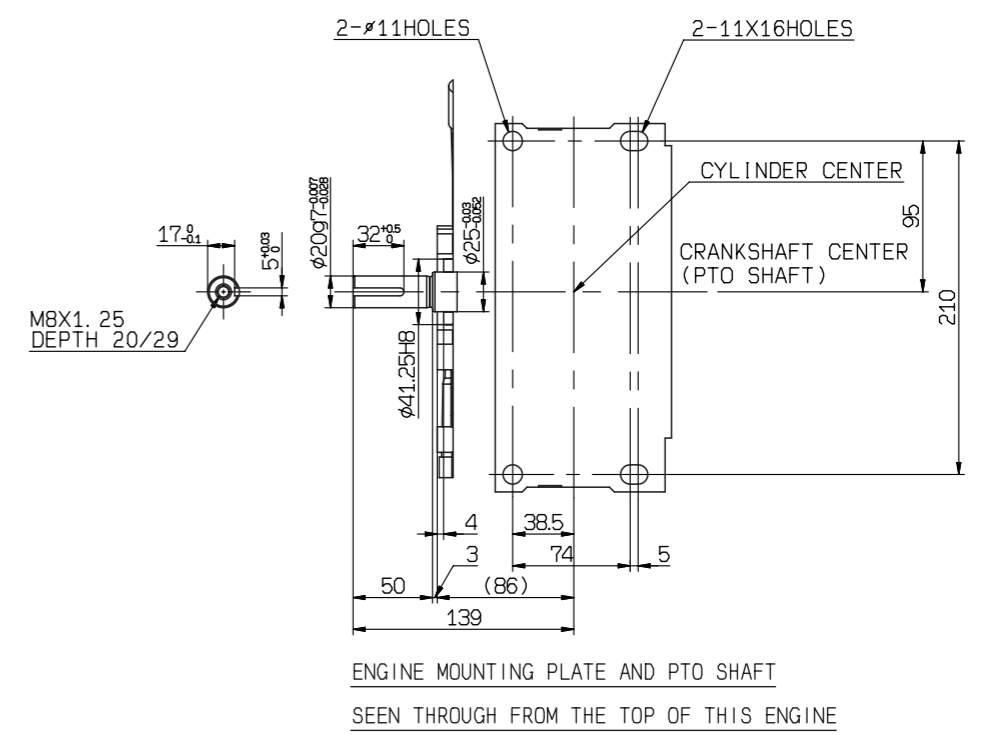
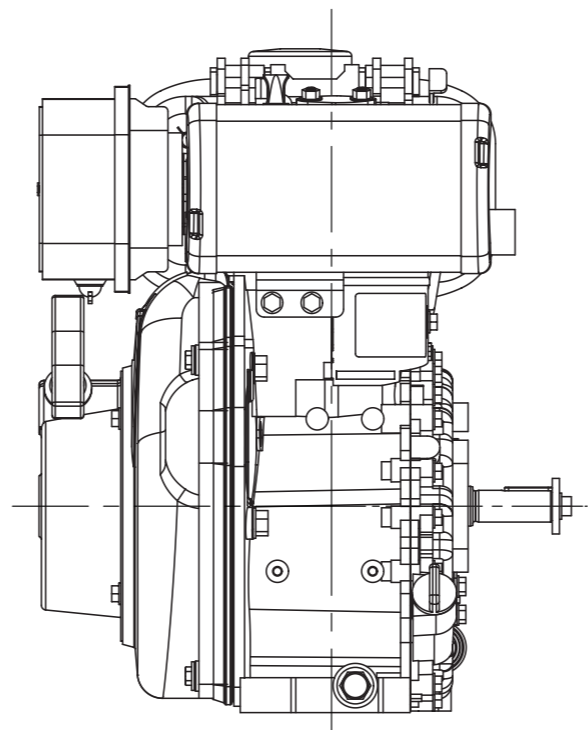
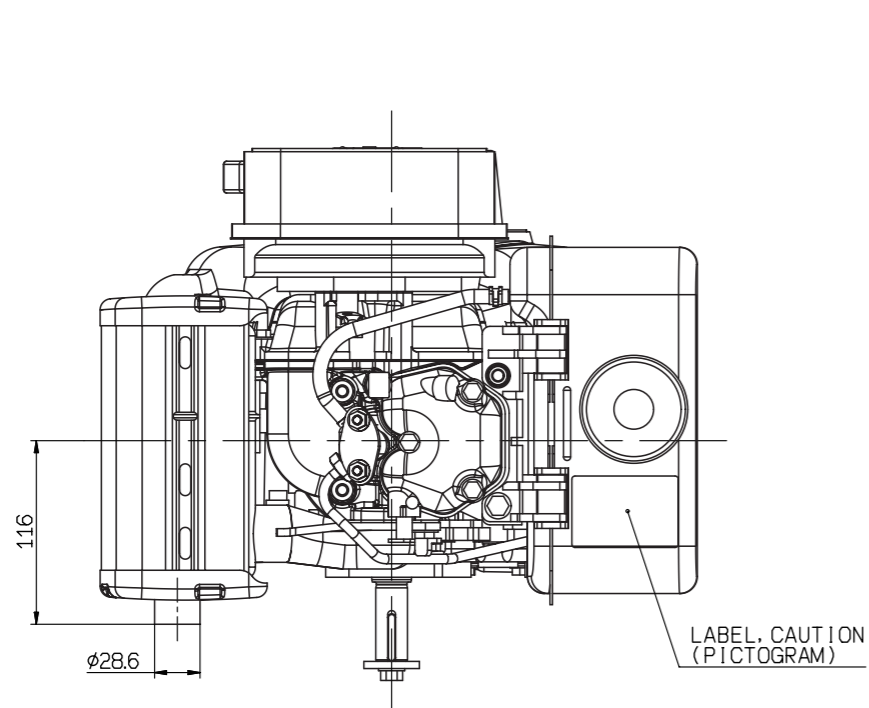


# L48 V-machine

No	Base	Sales area	Model
1	L-N	Global	L48N6AF3R4AACD
2	L-V	Euro	L48V6VAF3R8AACD



-This outline shows No.1 model  
-No.2 is different from No.1 at FO limiter and muffler.