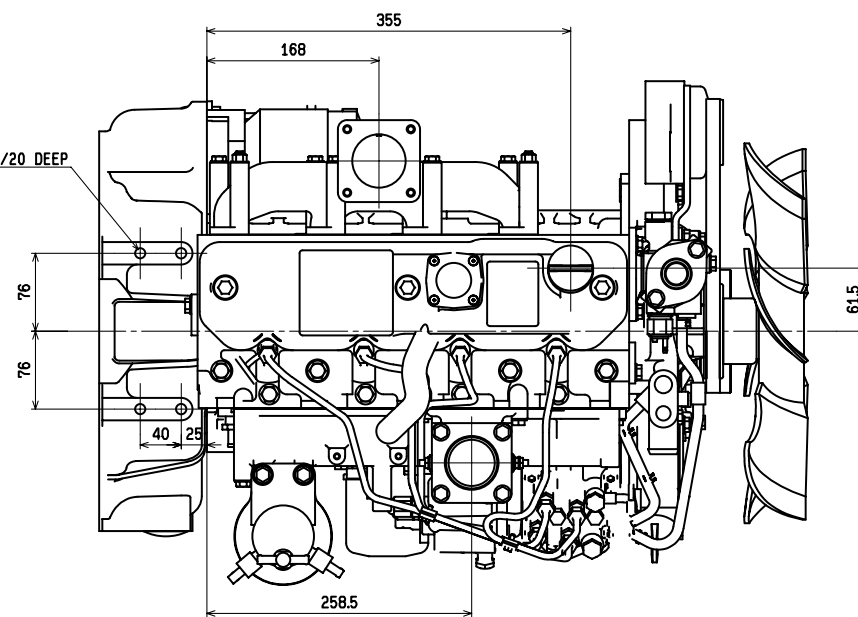
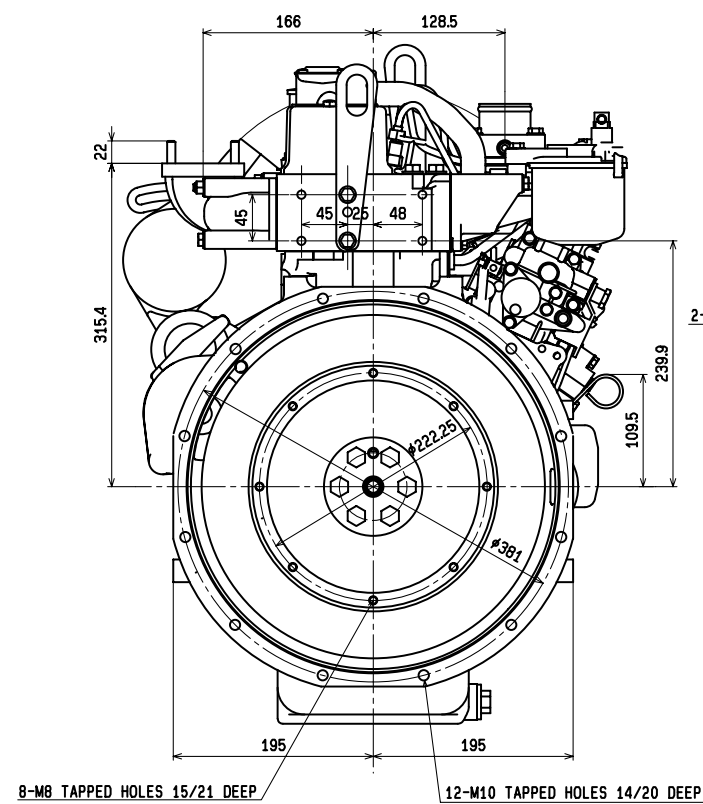


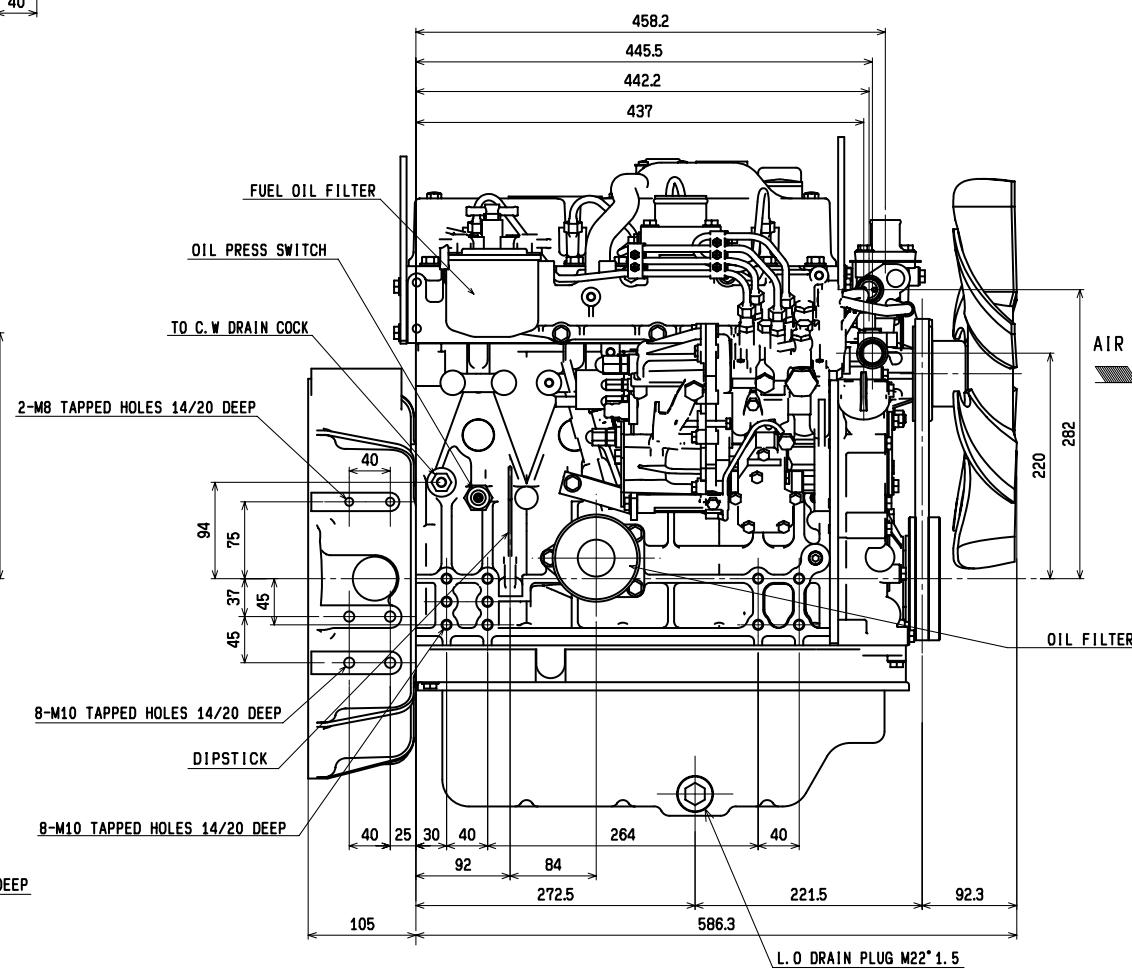
Starter side



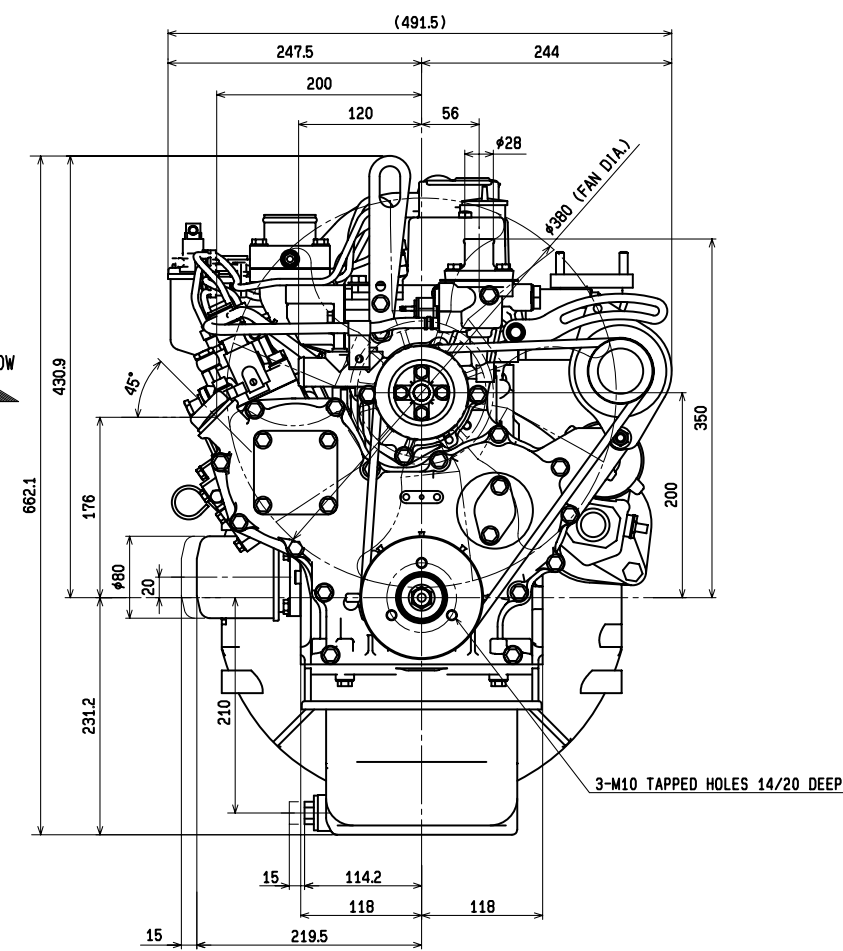
Top side



Flywheel side



F. I. Pump side



Gear side

Engine model	4TNV84, 4TNV88
Engine category	CL
Out drawing No.	B3-29646-0010