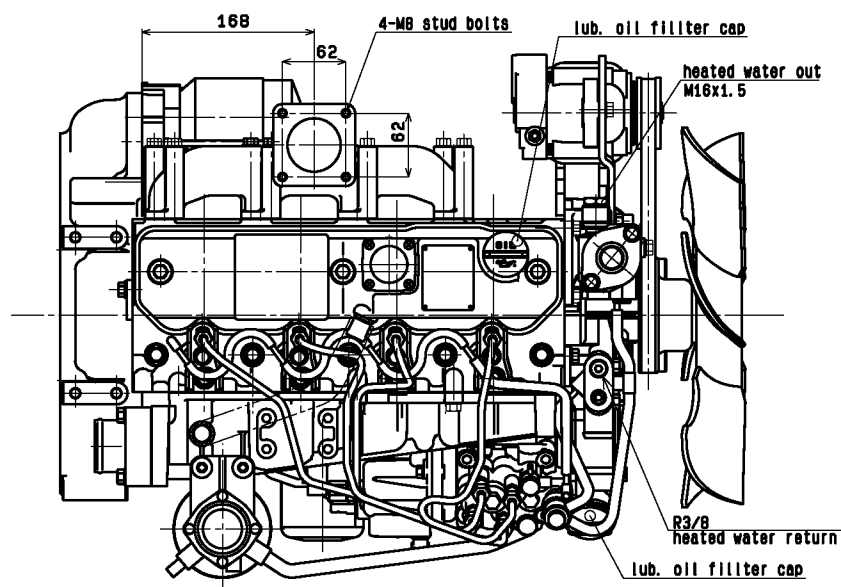
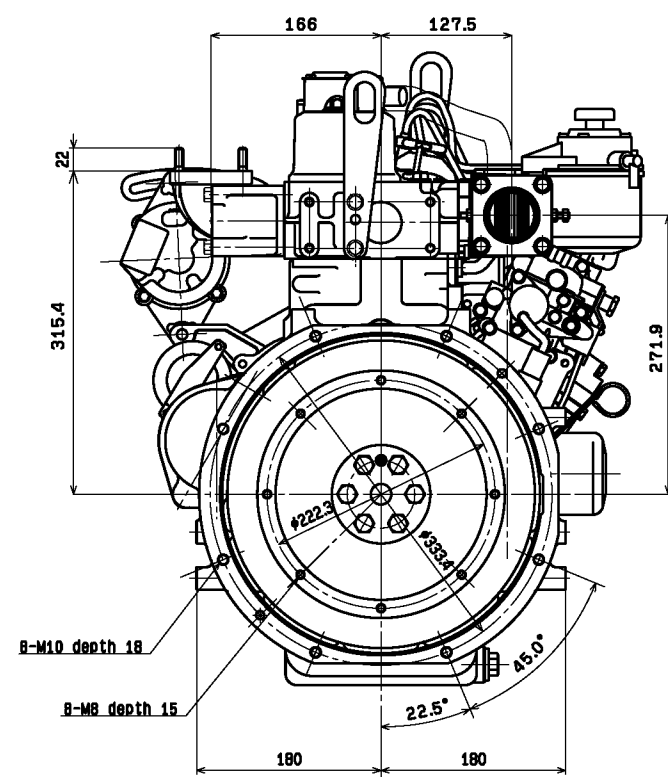


Starter side

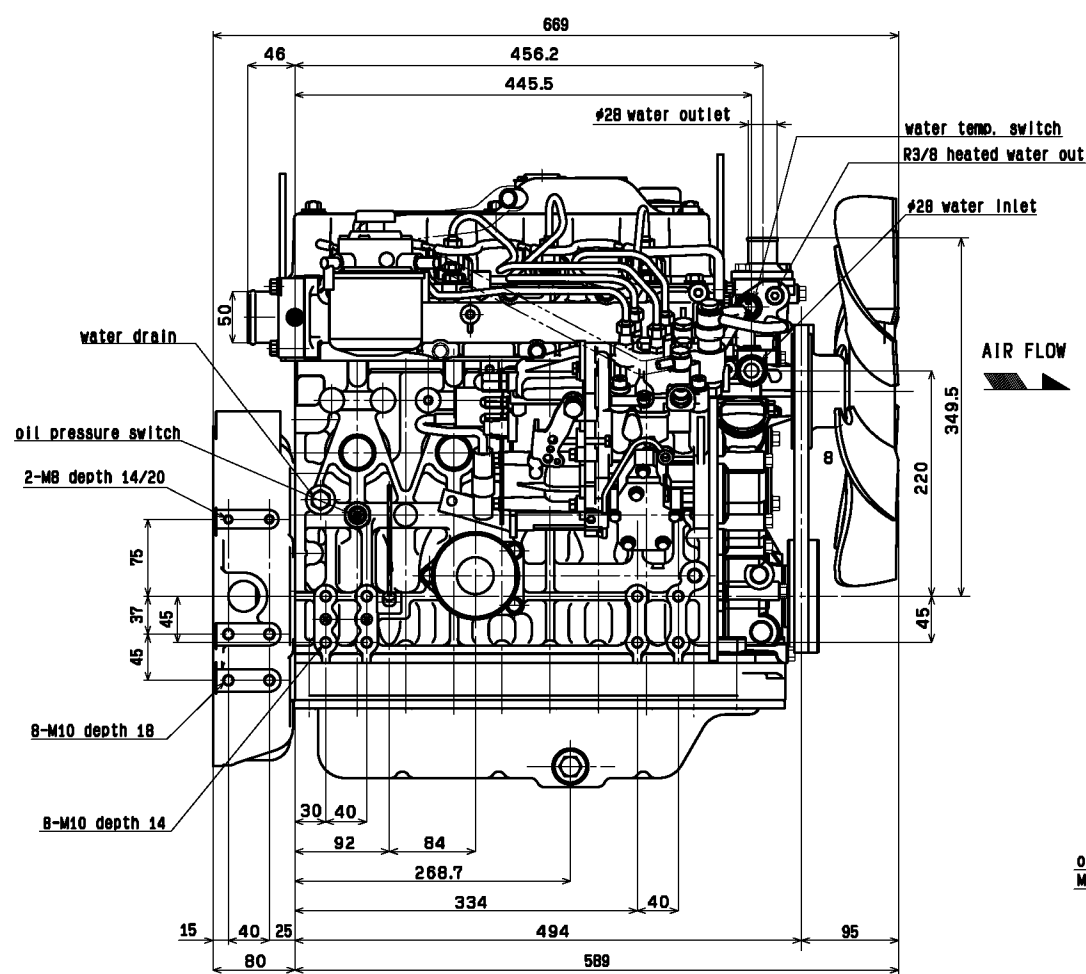


Top side

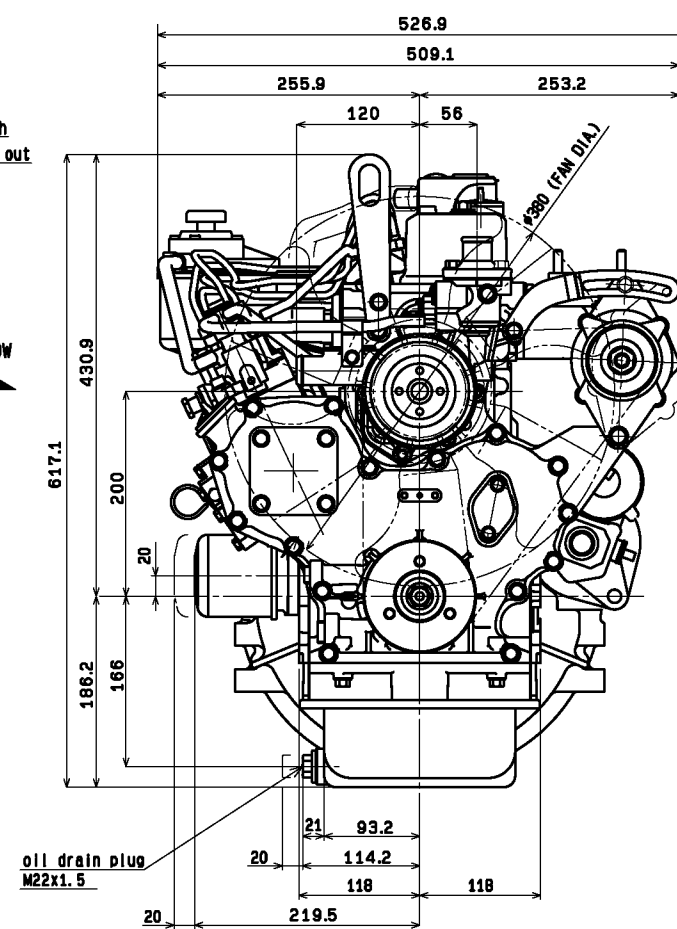
Engine model	4TNV84, 4TNV88
Engine category	VM1
Out drawing No.	B3-29601-0013



Flywheel side



F. I. Pump side



Gear side